


# Electrical Position Indicator

## Construction

The GEMÜ 1215 electrical position indicator indicates one position of the valve. It is designed so that it can be mounted to GEMÜ valves via a female thread in the actuator housing.

## Features

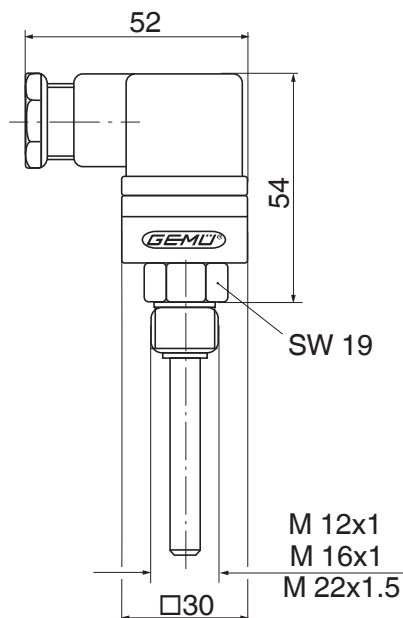
- GEMÜ 1215 contains a microswitch with snap action contact mechanisms designed for up to 10<sup>6</sup> switching operations. The silver contacts are gold plated.
- When used with GEMÜ valves the microswitch is activated when the valve is in the "Open" position (100%); with GEMÜ type 667 the "Closed" valve position is indicated.
- ATEX-marking:  II 2G IIB T6 X (optional)

## Advantages

- The housing can be rotated through 360°
- In addition to the electrical position signal there is also visual indication from a red cam via the transparent section.
- Protection class IP 65 to EN 60529



Dimensions - Electrical position indicator [mm]



## Technical data

### General information

Electrical connection via screw terminals and PG 11 cable gland	
Cable diameter	6 to 8 mm
Ambient temperature	-15 °C to +60 °C
Protection class	IP 65 (when mounted) acc. to EN 60529

### Material

Housing cover: Polyamide	PA
Housing base: Polypropylene, 20 % glass fiber	PP

### Electrical data

Category	AC - 15
Switch rating	
AC rating	250 V AC/4 A
DC rating	24 V DC/4 A inductive load 0.6 A

### ATEX (Index X)

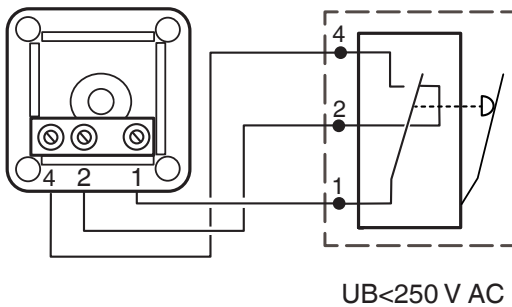
Ex protection class\*  $\text{Ex II 2G IIB T6 X}$

Intended for use with process valves whose opening/closing speed does not exceed 1 metre per second. Metallically isolated components have to be correctly connected to the potential earth by the user via charge eliminators (see directive and national provisions).

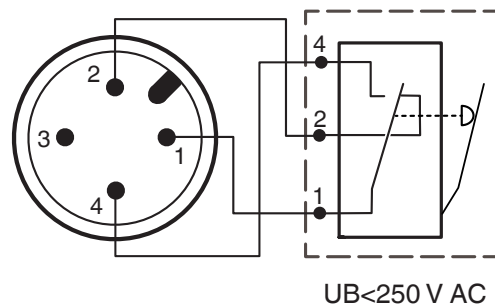
**\* Note on index X:** Operation in potentially explosive atmospheres only in conjunction with an ATEX complying isolator amplifier that is designed for the operation of electromechanical switch contacts and for which separate instructions apply.

## Connection diagram

### Standard

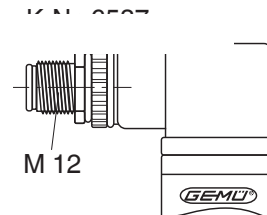


### K-Number 6537



### Connection of the switch screw terminals

- Max. cross section dimension of cable 0.75 mm<sup>2</sup>
- Max. length of wire end ferrules 6 mm
- Wire end ferrules acc. to DIN 46288-1



## Order data

### Note

All these variants can be ordered also with M12 plug.  
Please order with K-number 6537.  
Please note that variants with the K-number 6537 the ATEX version is not possible. The marking X deleted.  
Example: 1215 000 Z 1110 X  
Version with plug ATEX  
1215 000 Z 1110 6537  
Version with M12 plug **no** ATEX

### Order example

1215 000 Z	xxxx	xxxx	X
Type	Valve specific	K-No.	ATEX *
Standard		Optional (K-No. <b>or</b> ATEX)	

\* Not all versions are available - see table

for valve type	DN	Control function	Actuator Code	Order key
312	15	1	1	1215000Z1110 X
312	20	1	1	1215000Z1155 X
312	25 - 40	1	1	1215000Z1151 X
312	25	1	2	1215000Z1452
312	32 - 40	1	2	1215000Z1416
312	50	1	1	1215000Z1155 X
312	50	1	2	1215000Z1452
312	65-100	1	2	1215000Z1415
314	25	1	2	1215000Z1452
314	32-50	1	2	1215000Z1416
314		1	1	1215000Z1155 X
410		1,2	0	1215000Z1105 X
410		1,2	1	1215000Z1142 X
410		1,2	2	1215000Z1142 X
410		1,2	3	1215000Z1237 X
415		1,2	0	1215000Z1105 X
415		1,2	1	1215000Z1142 X
457		0	M01-M03	1215000Z1644
512		1	2	1215000Z1415
512		1	1,4	1215000Z1125 X
514		1	2	1215000Z1415
514		1	5	1215000Z1445
514		1	0,3	1215000Z1149 X
514		1	1,4	1215000Z1125 X
530		1	0	1215000Z1536 X
530		1	2	1215000Z1155 X
530		1	3	1215000Z1160 X
530		1	4	1215000Z1448
530		1	5	1215000Z1452
532		1	2	1215000Z1415
532		1	0,3	1215000Z1149 X
532		1	1,4	1215000Z1125 X
534		1	2	1215000Z1856
534		1	0,3	1215000Z1149 X
534		1	1,4	1215000Z1151 X

for valve type	DN	Control function	Actuator Code	Order key
550		1	0	1215000Z1536 X
550		1	2	1215000Z1155 X
550		1	3	1215000Z1160 X
550		1	4	1215000Z1448
550		1	5	1215000Z1452
554		1	2	1215000Z1856
554		1	0,3	1215000Z1149 X
554		1	1,4	1215000Z1151 X
554		1	B	1215000Z1539
580		1	0	1215000Z1536 X
580		1	2	1215000Z1155 X
580		1	3	1215000Z1160 X
580		1	4	1215000Z1448
580		1	5	1215000Z1452
582		1	0	1215000Z1149 X
582		1	1	1215000Z1125 X
582		1	2	1215000Z1415
584		1	0	1215000Z1149 X
584		1	1	1215000Z1151 X
584		1	2	1215000Z1856
600	15-25	1	2	1215000Z1155 X
600	32-40	1	3	1215000Z1154
600	50	1	4	1215000Z1147
605		1,2,3	0	1215000Z1538
610		1,2,3	1	1215000Z1546
615		1,2,3	1	1215000Z1546
620	15-25	1	0	1215000Z1110 X
620	32-40	1	1	1215000Z1120 X
620	50	1	2	1215000Z1130 X
625		1,2,3	1	1215000Z1546
630		1	1	1215000Z1105 X
650		1,2,3	0	1215000Z1536 X
650		1	1,2,3,4	1215000Z1759 X
650		2,3	1,2,3,4	1215000Z1759 X
667	15-25	2		1215000Z1143 X
667	32-40	2		1215000Z1151 X
667	50	2		1215000Z1120 X
671	15-25	0,L	Z	1215000Z1105 X
671	32-40	0,L	Z	1215000Z1149 X
671	50	0,L	Z	1215000Z1150 X
671	65-100	0,L	Z	1215000Z1235 X
677	15-25	0,L	Z	1215000Z1105 X
677	32-40	0,L	Z	1215000Z1149 X
677	50	0,L	Z	1215000Z1150 X
677	65-100	0,L	Z	1215000Z1235 X
687	15-25	1	1	1215000Z1110 X
687	32-40	1	2	1215000Z1120 X
687	50	1	3	1215000Z1130 X
687	65-100	1	4,5	1215000Z1862
687		1	B	1215000Z1105 X
687		2,3	B	1215000Z1546
695	15-25	1	1	1215000Z1110 X
695	32-40	1	2	1215000Z1120 X
695	50	1	3	1215000Z1130 X

## Order data

for valve type	DN	Control function	Actuator Code	Order key
710		1,2	0	1215000Z1105 X
710		1,2	1	1215000Z1142 X
710		1,2	2	1215000Z1142 X
710		1,2	3	1215000Z1237 X
9415		1	0	1215000Z1105 X
9415		1	1	1215000Z1142 X
9415		1	2	1215000Z1142 X
9415		1	3	1215000Z1237 X
C50		1	2	1215000Z1536 X
C50		1	2	1215000Z1536 HPX
C50		1	2	1215000Z1536 X
C50		1	3	1215000Z1564
C50		1,2	3	1215000Z1564 HP
C50		1,2	3	1215000Z1564
C60		1,3	1	1215000Z1561 HP
C60		1,3	1	1215000Z1561
C60		1,3	1	1215000Z1561
C60		1,2,3	2	1215000Z1758
C60		1,2,3	2	1215000Z1758
C60		1,2,3	3	1215000Z1757
C60		1,2,3	3	1215000Z1757
R677	15-25	0,L	EDZ	1215000Z1105 X
R677	32	0,L	FDZ	1215000Z1105 X
R677	40-50	0,L	HDZ	1215000Z1149 X
R677	65	0,L	KDZ	1215000Z1150 X
R677	80-100	0,L	MDZ,NDZ	1215000Z1235 X
R690	15-25	1	E	1215000Z1125 X
R690	32	1	F	1215000Z1110 X
R690	40-50	1	H	1215000Z1154
R690	65	1	K	1215000Z1130 X
R690	80-100	1	M,N	1215000Z1862
S560	10	1		1215000Z1539
S580	15	–		1215000Z1531
S580	20-25	–		1215000Z1532
S680	15	–		1215000Z1533
S680	20-25	–		1215000Z1534

For further electrical position indicators, accessories and other products please see our Product Range catalogue and Price List.  
Contact GEMÜ.

**GEMÜ®** VALVES, MEASUREMENT  
AND CONTROL SYSTEMS

